

NOTES

- 1 CONTRACTOR TO CHECK & VERIFY ALL DIMENSIONS BEFORE EXECUTION OF THE WORK.
- 2 FIGURED DIMENSIONS SHALL BE FOLLOWED.
- 3 ALL DIMENSIONS GIVEN IN MILLIMETERS UNLESS OTHERWISE SPECIFIED.

S.NO	DATE	DESCRIPTION	SIGN
------	------	-------------	------

REVISION NOTE

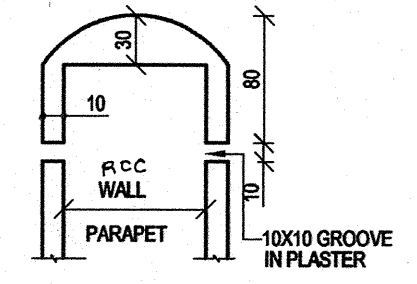
THIS DRG IS BASED ON DRG NO CEPZ/85/TD/15 SH.1/1

MICELLANEOUS DETAILS

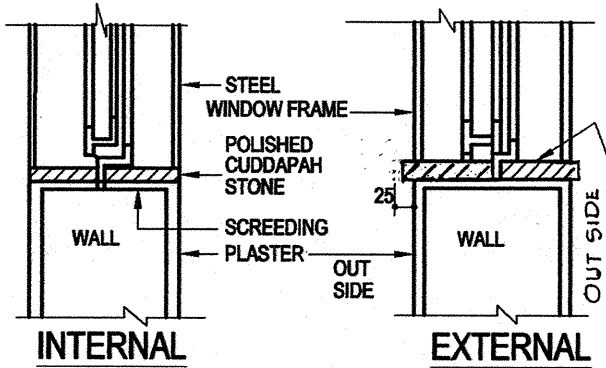
DETAIL OF OPENING IN RCC SLAB PRAYER NICHE  
STONE CILL, PLASTER HANDRAIL, DETAIL OF FIXING  
CHICKEN WIRE MESH AT JUNCTION OF WALL &  
RCC COL/ BEAM ETC.

DRN	WABALE	CHIEF ENGINEER PUNE ZONE PUNE	DATE	11.07.88
TCD			SCALE	AS SHOWN
CKD				
CD				

S.O. II (DESIGN)		SENIOR ARCHITECT FOR CEPZ PUNE.
ARCHITECT		
DRG. NO. CEPZ/88/TD/4M		3/4

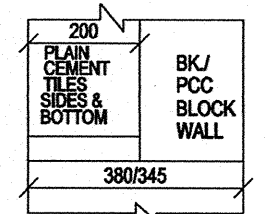


**SECTION**  
ALTERNATIVE DETAIL OF  
PLASTER HANDRAIL WITH  
GROOVE 10X10 FOR 100 MT  
RCC PARAPET FOR  
STAIRCASE.

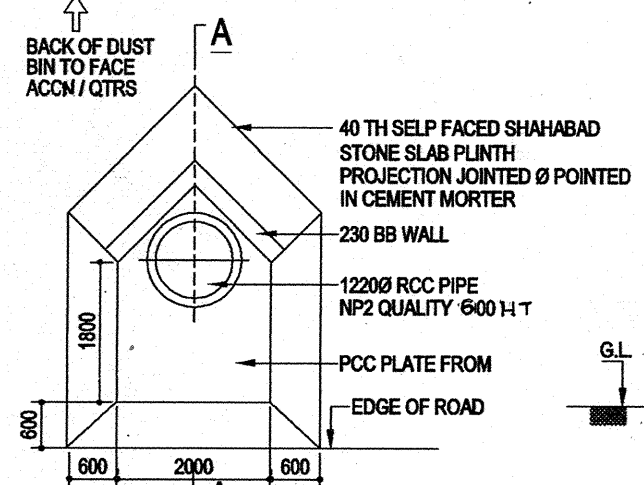


**INTERNAL  
EXTERNAL**  
**DETAIL OF STONE CILL**  
SCALE 1:10

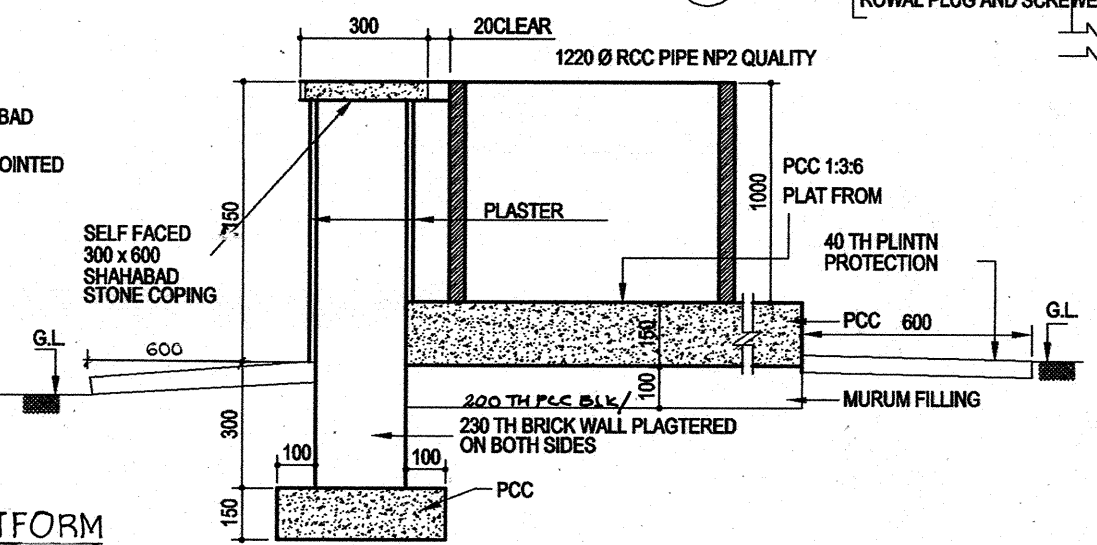
NOTE:  
STONE CILL SHALL BE OF ONE PIECE  
25 - 40 TH MACHINE CUT MACHINE  
POLISHED CUDDAPAH OF LENGTH  
OF WINDOW ± 10 BEARING ON  
EITHER SIDE FOR WINDOWS OF MORE  
THAN 1500 LENGTH CILL MAY BE IN  
2 OR MORE PIECES.



**SECTION FOR STONE / BK.**

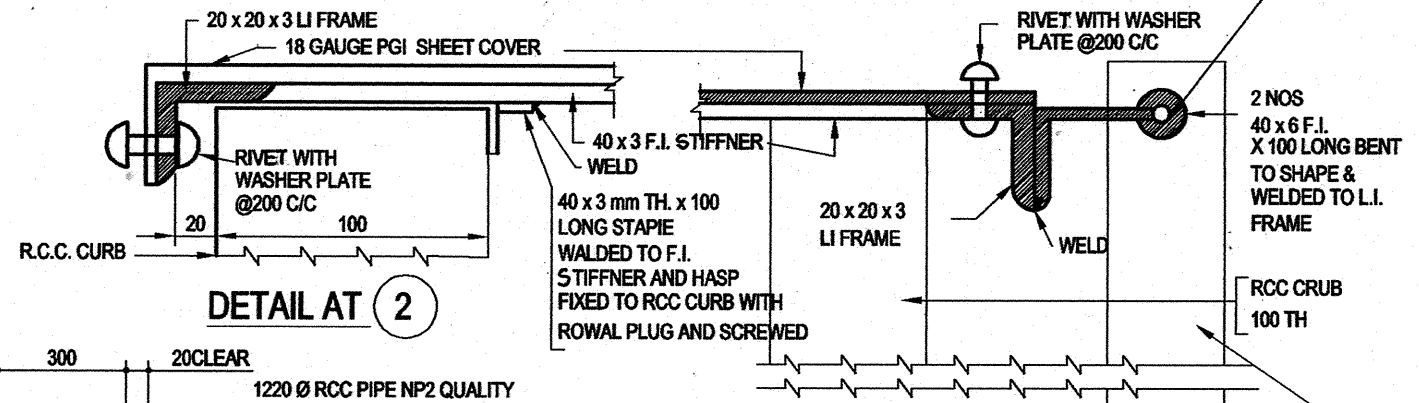


**DUST BIN HUME PIPE OVER PLATFORM**  
SCALE 1:50



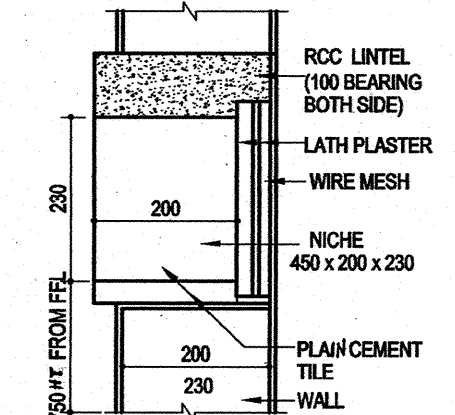
**SECTION 'AA'**  
SCALE 1:20

**SECTION  
FIXING DETAIL OF CHICKEN WIRE MESH  
AT THE JUNCTION OF WALL, RCC/COL BEAM**

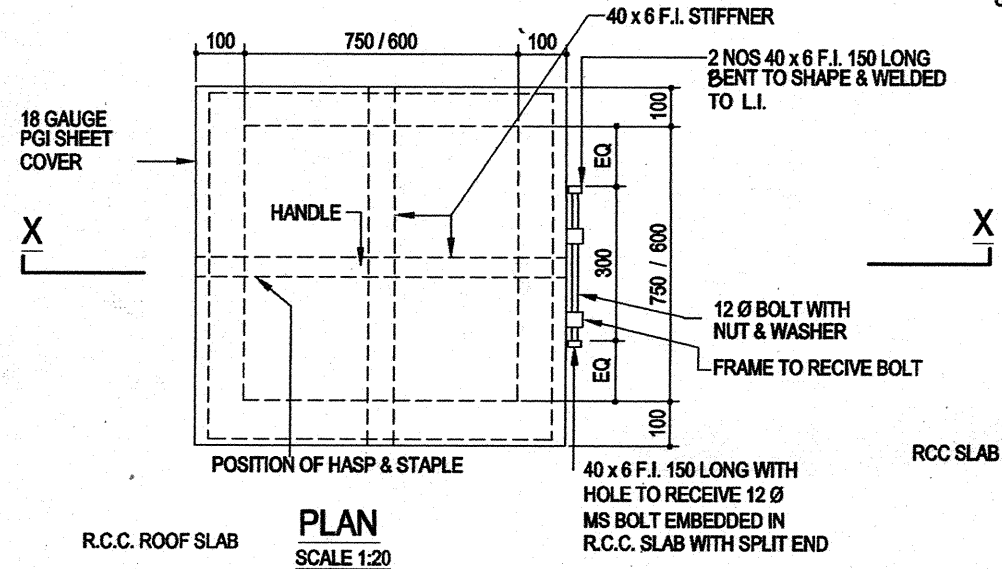


**DETAIL AT 2**

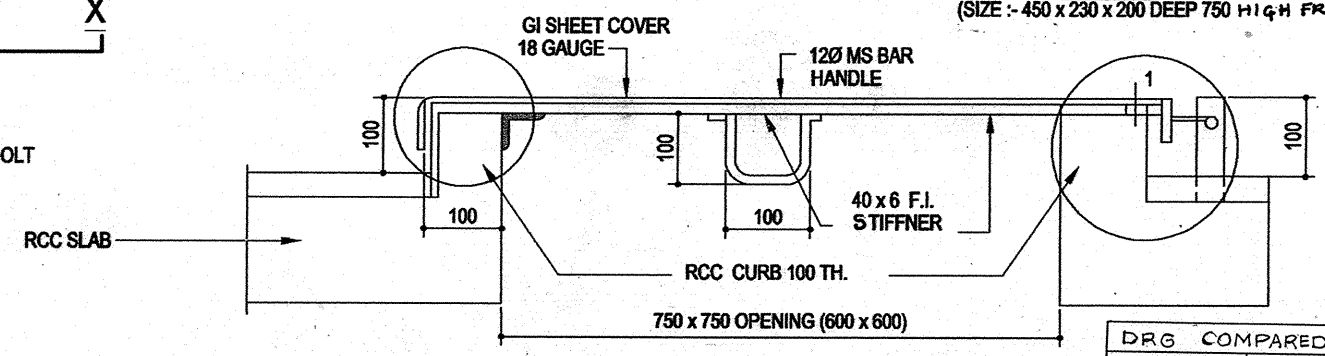
**DETAIL AT 1**



**SECTION  
DETAIL OF PRAYER NICHE**  
SCALE 1:10  
(SIZE :- 450 x 230 x 200 DEEP 750 HIGH FROM FFL)



**PLAN**  
SCALE 1:20  
**DETAILS OF OPENING IN R.C.C. ROOF SLAB**



**SECTION XX**  
SCALE 1:10

DRG COMPARED BY  
BINDROO  
DT 9/4/2003

02 02/11/14